

BSC-50E

Autonomous RTU/Data Logger



Introduction

BSC-50E is an ultra low power wireless RTU with data logging and alarming capabilities. The unit incorporates a GSM/GPRS modem, a serial RS-232 port, 4 digital inputs, 2 analog inputs and 3 excitation outputs for powering external transducers. An ultra low power microcontroller is utilized for alarm condition detection, subsystem activation and overall system control. The unit incorporates a Lithium Thionyl battery supplying system operation for up to 10 years.

Modes of operation

Modes of operation include autonomous battery operation or external power supply operation with uninterruptible transition to battery operation.

During battery supplied operation, only the low power microcontroller is awake. The microcontroller activates the power consuming GSM modem in case of an alarm occurrence or during periodical data transfer, as also other subsystems as the sensor excitation and analog conditioning circuits for sampling the analog inputs.

- Power network independent RTU/data logger
- Up to 10 years maintenance free operation
- Quick and easy installation
- 4 digital inputs, 2 analog inputs, 3 transducer excitation outputs

Applications

- Environmental telemetry
- Power network fault monitoring
- Waste water management
- Security systems
- Asset management
- Greenhouse controls & irrigation systems
- M2M systems

Technical characteristics

Power supply	
Battery	internal 13.0 Ah Lithium Thionyl
External	10...24V power supply
Consumption	70µA max (Low power operation) 1mA (AI sampling w/o sensors) ~50mA (alarm messaging)
Digital inputs	4, 0-30VDC or potential free
contact inputs	
Analog inputs	2, 0-1V, 0-2.5V, 0-20mA, 10 bit resolution
Counter inputs	1, 40Hz max.
Transducer	
Excitation	12V/80mA or 7V/140mA, 5V/100mA, 3.3V/200mA
Serial port	RS232C, 9600 to 115200 bps
GSM modem	Quad band (850/900/1800/1900MHz) Sierra Wireless Q2687 Series GPRS/EDGE
Indications	2 LED, GSM network status
Temperature	-30°C...+65°C operating
Protection	IP66
Dimensions	130 x 130 x 75 mm

Data Acquisition

Analog input scaling, alarm limits, sampling period, logging rate, data send rate are user defineable. The unit features a dual set of sampling, logging and data transmission rates. The basic set can be superseded by an alternate set on event. Digital input states, analog input and counter values can be used as trigger sources for rate changes. Ultra low power standby mode followed by frequent data recording and transmission can be selected to fit the application needs, while maximizing the battery life.

Transducer excitation

The transducer excitation outputs are activated during the analog inputs sampling.

Alarming & messaging

SMS announcements include alarm messages, messages with measurement data and periodical status messages for verifying unit availability. The unit supports discrete recipient alarming for several users. Alarm message texts are user defineable.

Setup and programming

The unit can be programmed locally through the serial port or remotely via SMS by using simple ASCII configuration commands. The command set features commands for configuring input alarm parameters, scaling parameters and alarm limits, timing parameters and defining user groups. Remote setup SMS messages are accepted during the status message transfer.

Enclosure

Polystyrol enclosure (IP66) for in- and outdoor use.

RoHS Compliant
Directive 2002/95/EC



Infinite Informatics, Ltd.

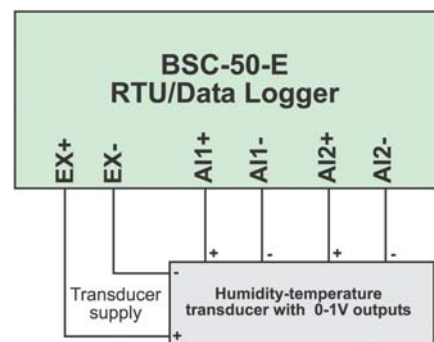
1, Valaoritou Street
GR-54626 Thessaloniki, Greece
Phone: +30-2310-553545,
Fax: +30-2310-552006
Email: sales@indinf.gr
URL: www.infinite.com.gr, www.indinf.gr

Firmware features

Digital input alarm state	Transition selection
Analog inputs	Scale, alarm limits selection
Analog sample interval	1-255 minutes, 2 sets
Sensor Warm-up time	1-255 sec
Logging rate	0-255 samples, 2 sets
Sending Rate	0-255 hours, 2 sets
Alarming	alarm state of a digital input, 2 alarm limits on each analog input
Alarm delay	1-255 sec
Message texts	1-64 characters
Messaging	ASCII Alarm SMS ASCII Data SMS ASCII Status SMS
Messaging retries	1-99
Retry intervall	1-255 sec
Programming	ASCII command set
Remote setup	via SMS
Local setup	via serial port
User setup	1-20 users, discrete recipient alarming

Ordering information

Code BSC-50-E



Typical application

Representative - authorized dealer

